

Instructions

Body Mount Bushings

N.B: This instruction sheet should be used in conjunction with the workshop manual and proper safety procedures followed.

Page 1 of 2

Note: Any rusted nuts or bolts will require lubricant prior to disassemble.

When removing each mount, note any existing shims will need to be re-used in their respective point

- Loosen all bolts on both sides of vehicle initially.

Be careful of fan shroud and other components while lifting. A hydraulic jack and timber may be used to lift the body.

- Proceed by replacing mounts from 1 side of vehicle at a time.

Note - Ford mounts need to be 'hit' apart. Access bolts from inside of vehicle and loosen (but do not remove bolt yet). Now hit bolt downwards with mallet - to loosen mount away from frame.

- Replace 1 mount at a time, but do not tighten bolts yet - note diagram on page 2 for bushing position. Re-use steel components in lower mount (use a knife to completely remove rubber surrounding steel washer/nut).

- Once all mounts are replaced, confirm body is straight/aligned - tighten all nuts to Manufacturers specifications.

- It is recommended all hardware is re-checked after 500kms travelled.

Application - Ford Ranger 98-2011
- Mazda B series 98-2010

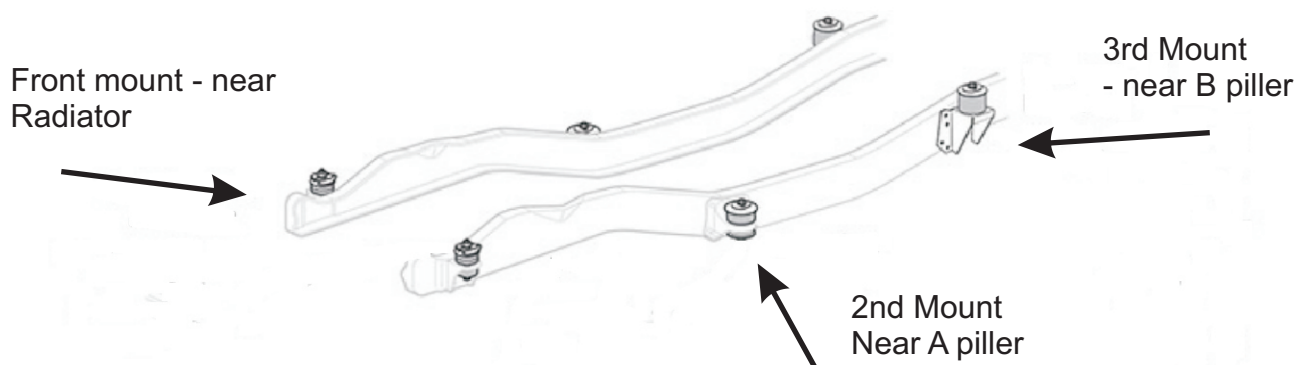
(Refer current catalogue for complete listing)

Contents - Bushing 91415 x2
- Bushing 91416 x2
- Bushing 91417 x2
- Bushing 91418 x2
- Bushing 91419 x2
- Bushing 91420 x2

- Steel tube 63mm long x2
- Steel tube 66mm long x2
- Steel tube 90mm long x2

- M12 x 110mm bolt x4
- M12 x 140mm bolt x2
- M12 nut x6

- Washer 35mm OD x12
- Washer 44mm OD x6
- Washer 63mm OD x6
- Washer 76mm OD x6



N.B: It is recommended that a licenced workshop or tradesperson carry out the above procedure and that workshop manual and relevant safety procedures are followed in addition to the above.

Instructions Body Mount Bushings

Page 2 of 2

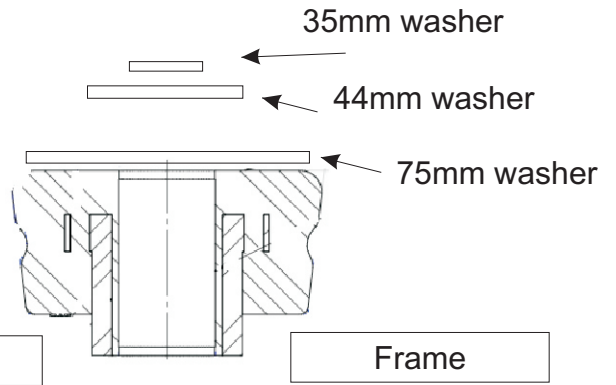
Positions #1

- M12 x 110 bolts
- Steel tube 63mm long

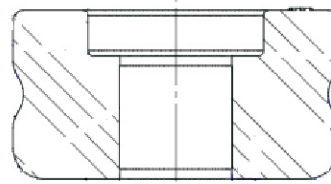
Upper bushing
#91415



Frame



Lower Bushing
#91416



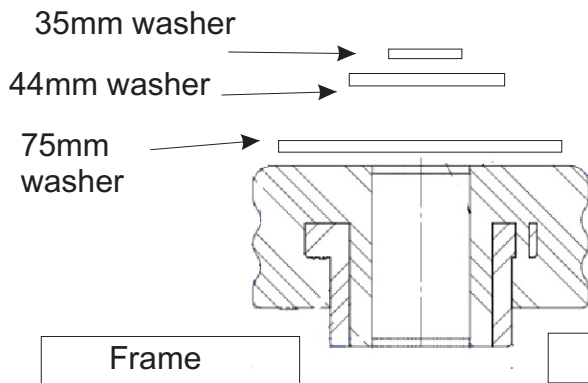
75mm washer

35mm washer

Upper Bushing
#91417



Frame



Positions #2

- M12 x 110mm bolts
- Steel tube 66mm long

Lower Bushing
#91418



35mm washer

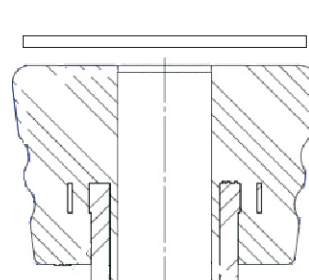
44mm washer

75mm washer

Upper Bushing
#91419



Frame

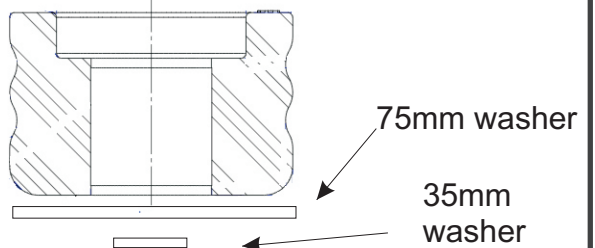
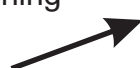


Frame

Positions #3

- M12 x 140mm bolts
- Steel tube 90mm long

Lower Bushing
#91420



75mm washer

35mm washer

N.B: It is recommended that a licenced workshop or tradesperson carry out the above procedure and that workshop manual and relevant safety procedures are followed in addition to the above.