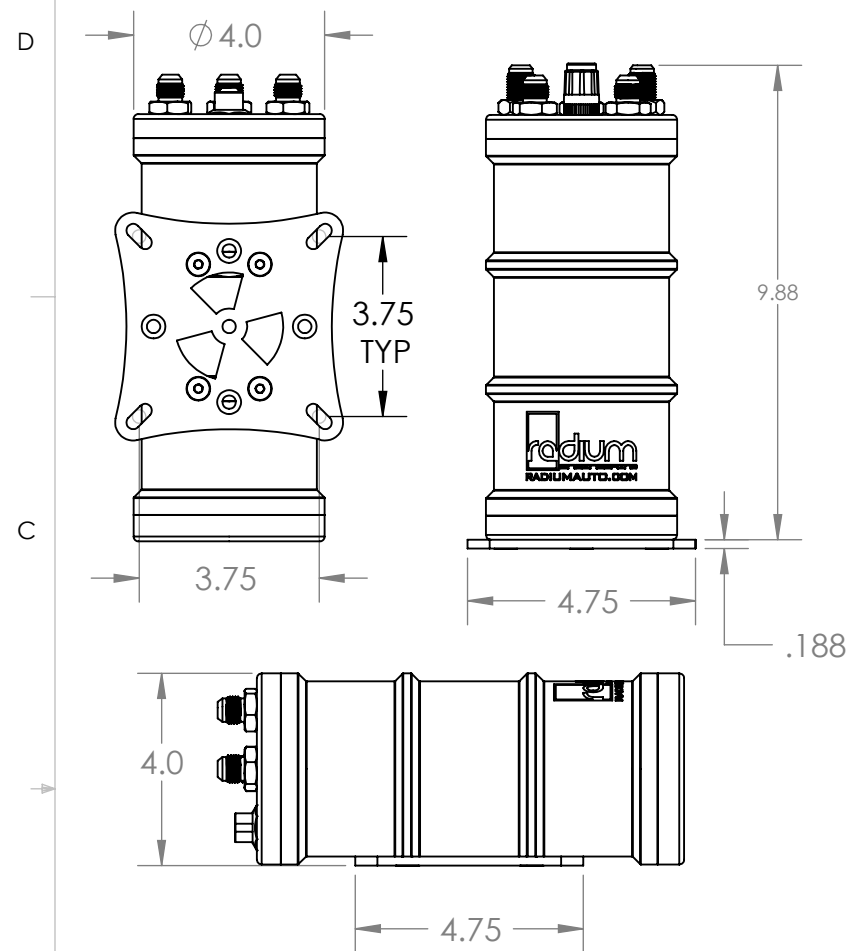


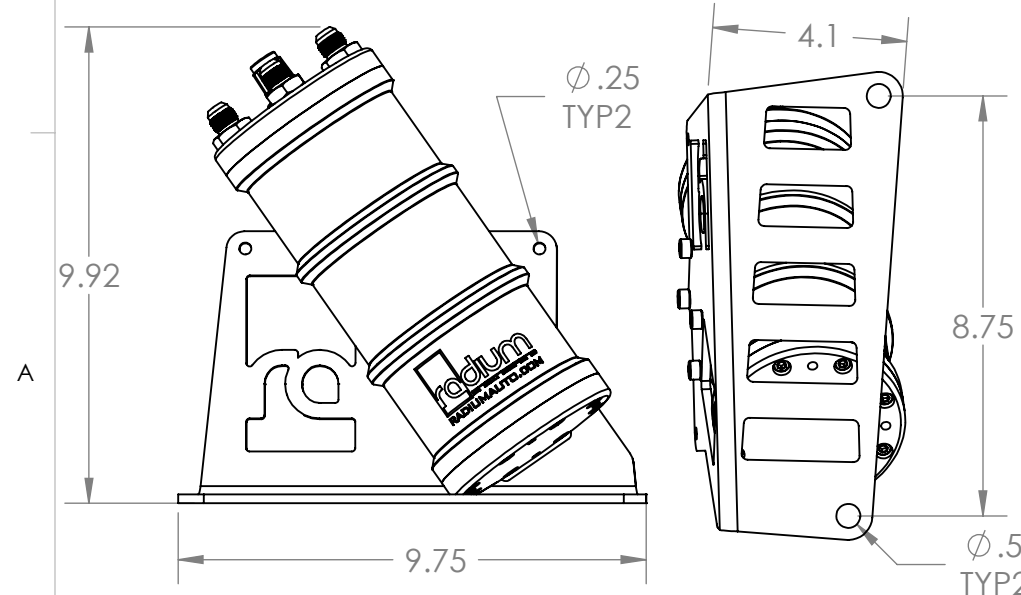
STANDARD FUEL SURGE TANKS

WITH WALL/FLOOR MOUNT BRKT

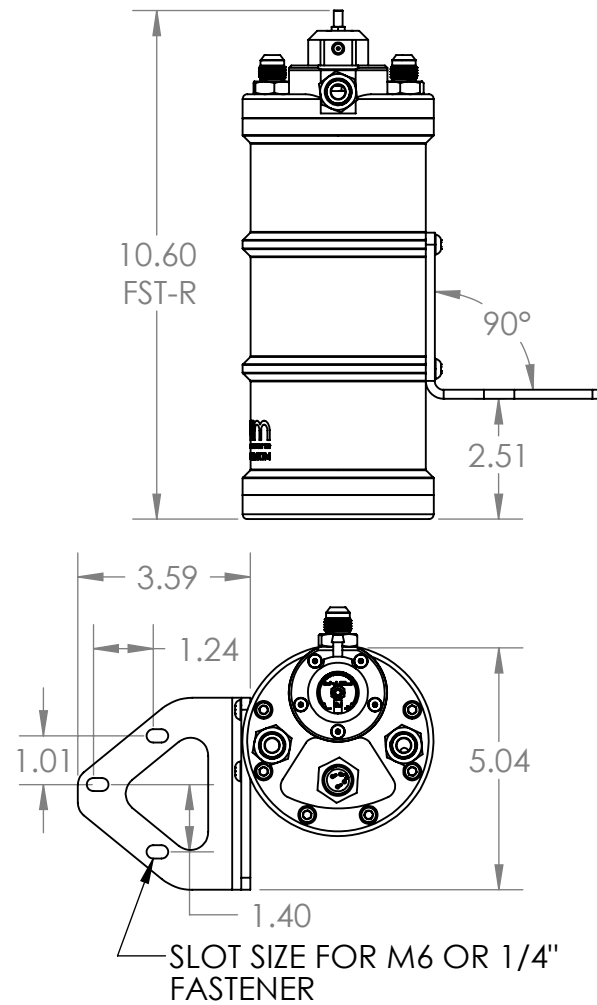


1.13L INTERNAL VOLUME (SINGLE INTERNAL PUMP)
1.02L INTERNAL VOLUME (DUAL INTERNAL PUMPS)

WITH ANGLE MOUNT BRKT

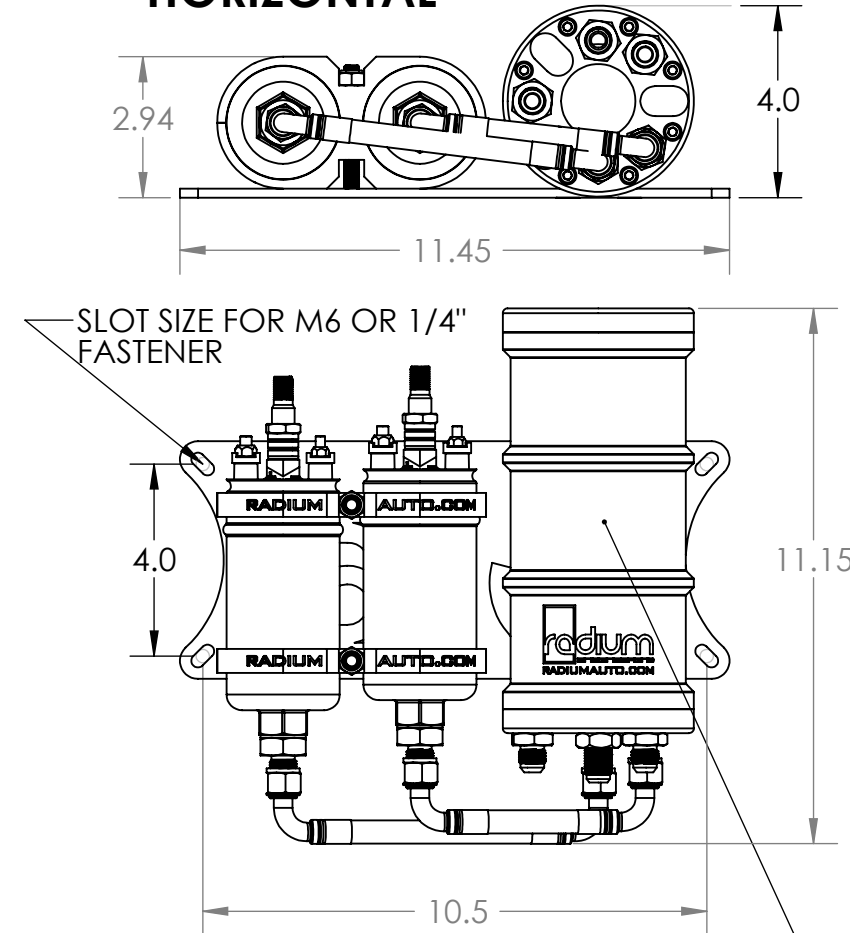


WITH FRAME MOUNT BRKT



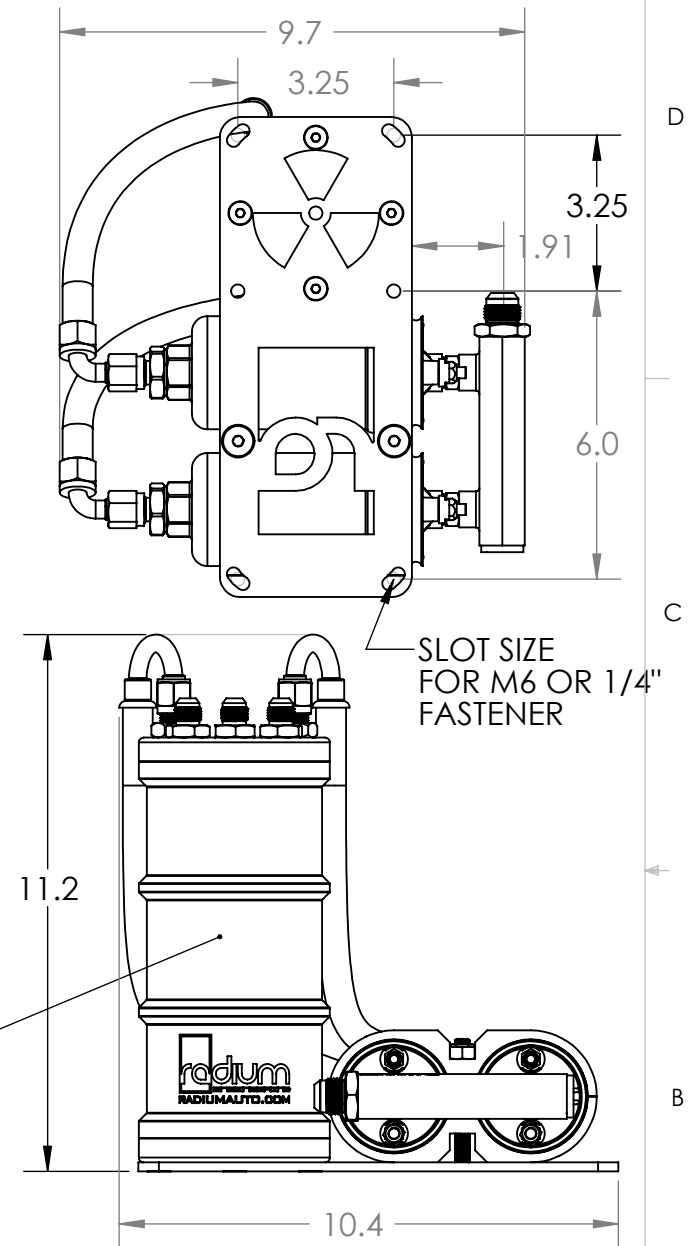
DUAL BOSCH 044 FST

HORIZONTAL



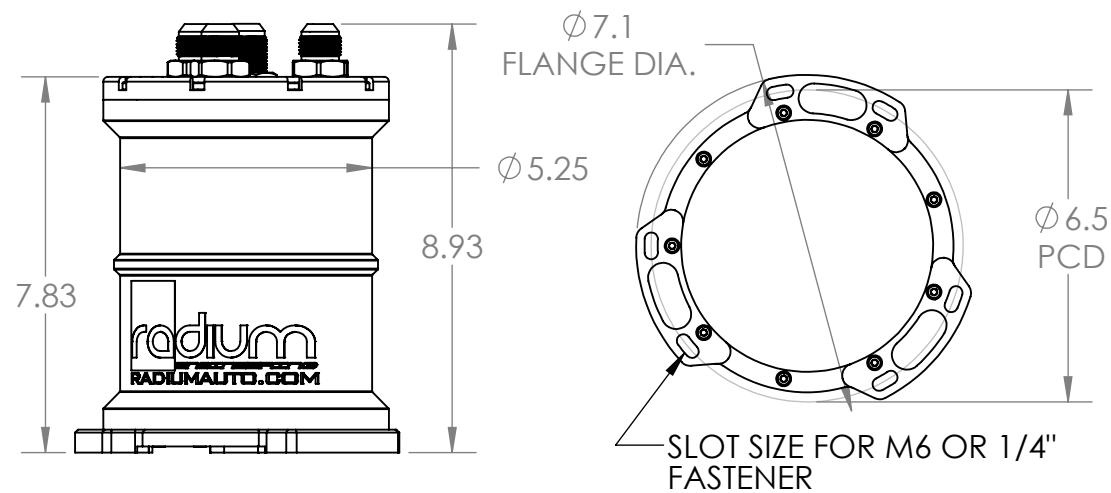
1.25L INTERNAL FLUID VOLUME

VERTICAL



MPFST AND HVFST

2.21L INTERNAL VOLUME (HVFST, NO INTERNAL PUMP)
1.98L INTERNAL VOLUME (MPFST, TWO INTERNAL PUMPS)
1.87L INTERNAL VOLUME (MPFST, THREE INTERNAL PUMPS)



NOTES:
1. ALL DIMENSIONS IN INCHES

radium Engineering LLC

DESCRIPTION:
FUEL SURGE TANK
EXTERNAL DIMENSIONS

SCALE: NTS SHEET 1 OF 1